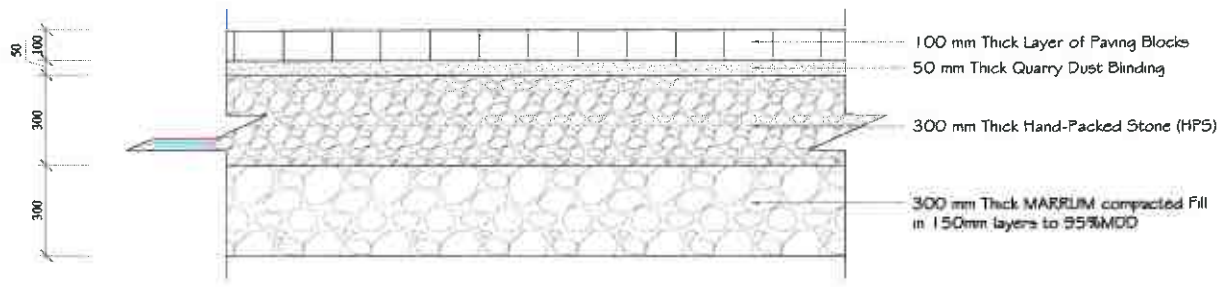


APPROVED	NAME	DATE	REV
CHECKED	D.M.FANEKI	MAY 2014	1
CHECKED	L. OJANI		2
DRAWN	S.M. KHAN	MAR 2014	3
			4
			5
			6

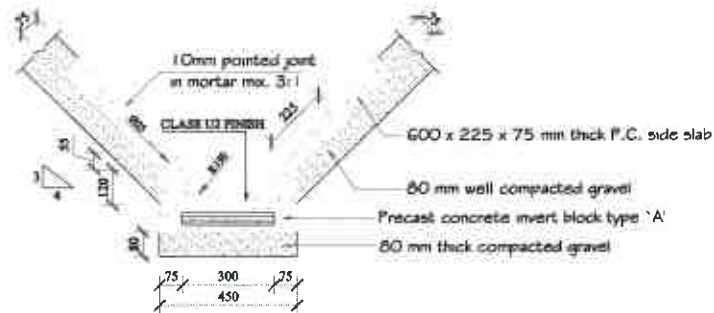
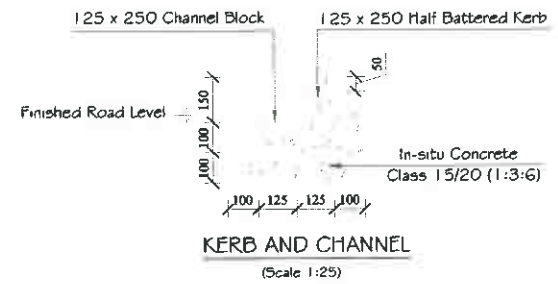
REV	REVISION	DATE	BY	CHECKED	DATE
1					
2					
3					
4					
5					
6					

FOUNDATION DETAILS FOR TYPICAL 33 / 11 KV SUBSTATION CIVIL WORKS

K. P. & L. Co. Ltd.



**ROAD SECTION DETAIL**  
(Scale 1:25)



**END ELEVATION**



**SIDE ELEVATION**

**INVERT BLOCK DRAIN TYPE 'A' ASSEMBLY DETAIL**  
(Scale 1:25)

	NAME	DATE	SIGN
APPROVED			
CHECKED ENGINEER/PC	D. MANANI		
CHECKED HEAD DRAIN	S. Githo		
CHECKED SUPERVISOR			
DRAWN	D. MANANI	27/06/2024	
SURVEYED			
TRACED			

REP	REVISION	DATE	SIGN	CHECKED	DATE

**CIVIL WORKS DETAILS SUBSTATION**

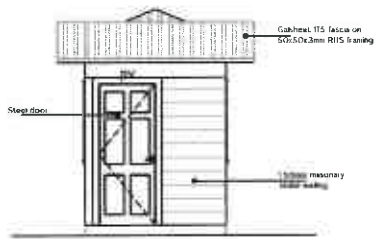
SCALE: 1:100

**SHEET 2A**

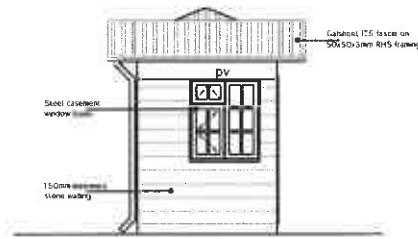
**K.P. & L. Co. LTD.**



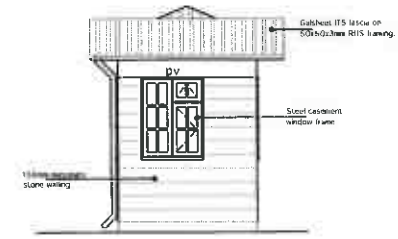
**SK. No. 05821**



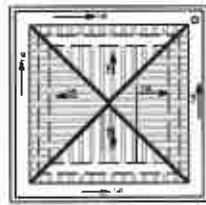
ELEVATION 01



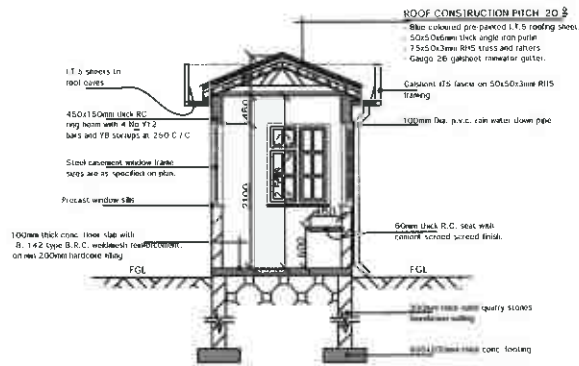
ELEVATION 02



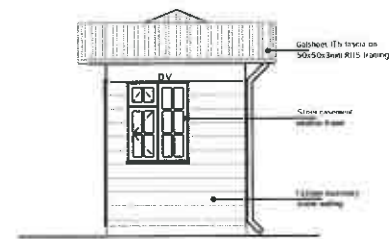
ELEVATION 03



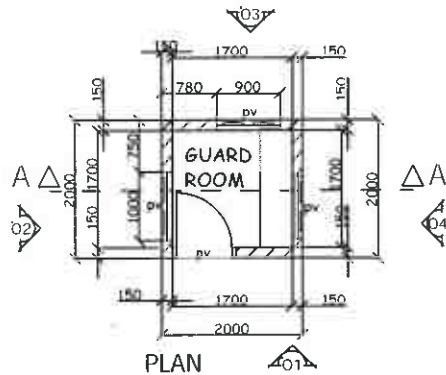
ROOF PLAN



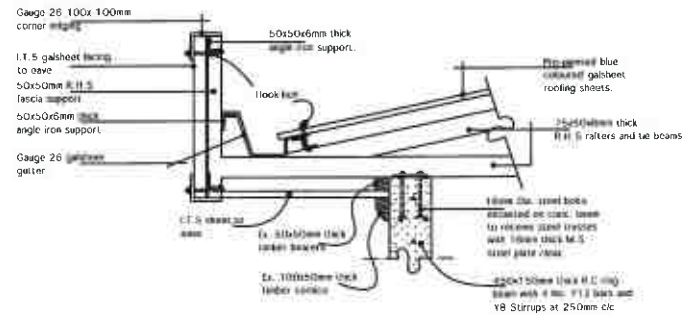
SECTION A - A



ELEVATION 04



PLAN



EAVE DETAIL

NAME	DATE	SIGN
APPROVED		
CHECKED		
DESIGNED		
DRAWN		
TRACED		

REV	REVISION	DATE	BY	CHECKED	DATE

**DETAILS OF GUARD HOUSE AT PRIMARY SUB - STATION**

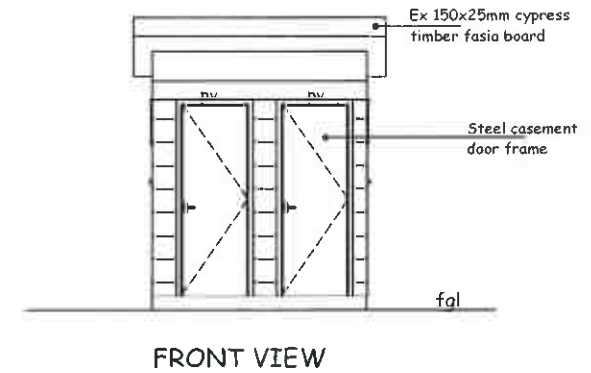
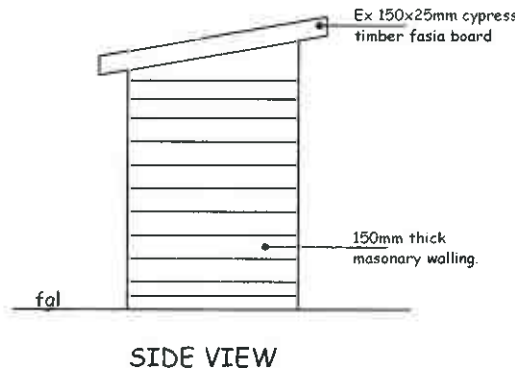
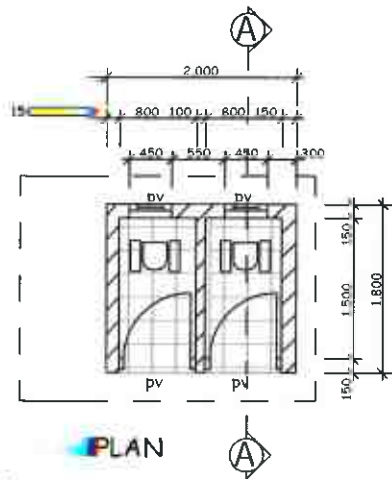
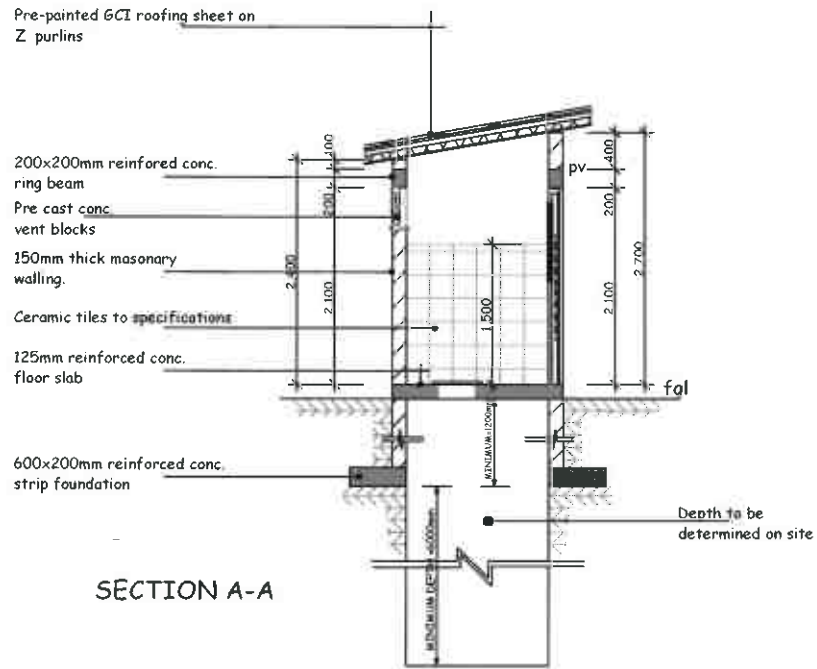
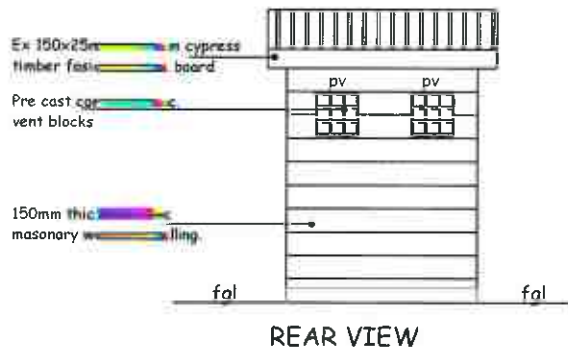
SCALE 1 : 50

SHEET 3B



K.P.&L.Co.Ltd

SK. No. 09847/A



NAME	DATE	ROD
APPROVED		
CHECKED		
DESIGNED		
PRINCIPAL INSN	B. GATHO	
DRAWN	J.M. Kabare	
TRACED		

REF	REVISION	DATE	SIGN	CHECKED	DATE

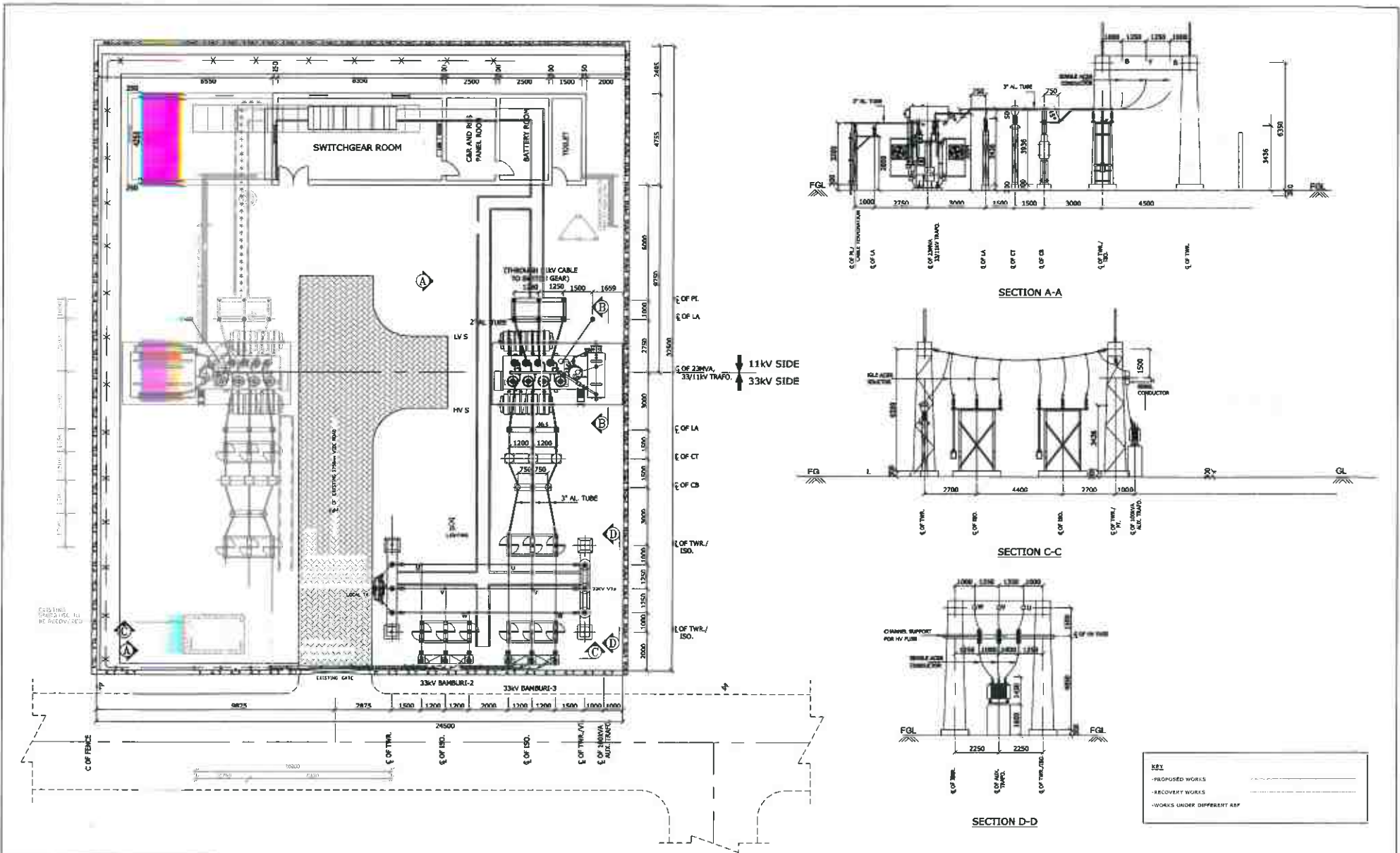
**DETAILS OF PIT-LATRINE AT PRIMARY SUB - STATION**

SCALE 1:50

SHEET 3C

K.P.&L.Co.Ltd

SK. No. 09847/A



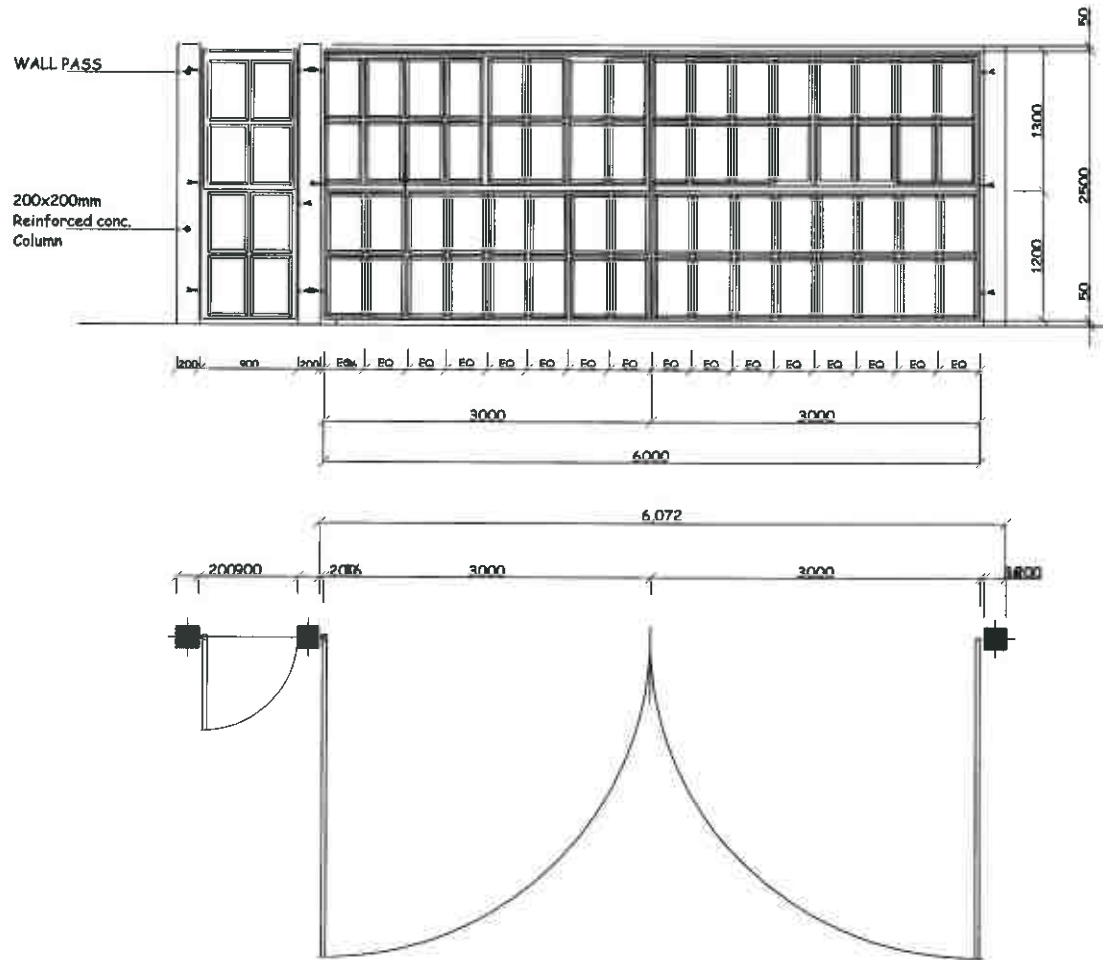
APPROVED	DATE						
CHECKED							
DESIGNED							
DRAWN	11-05-2013	SALXW					
DIGITIZED							

PROP 33KV U/G CABLE TERMINATION AT TONONOKA 33/11 K V S/STN ---- MOMBASA

SCALE: 1:100

K.P.&L. Co. Ltd.

SK. No. 11107 / A



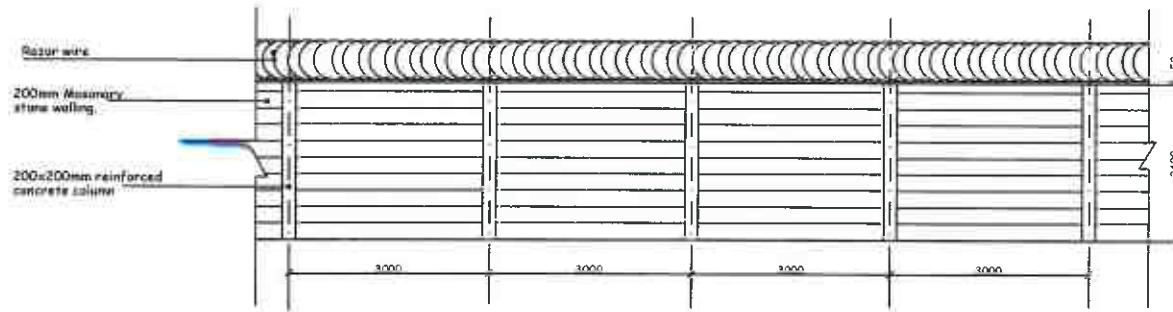
REV	DESCRIPTION	DATE	BY	CHECKED
01	ISSUED FOR TENDER			
02	REVISION			
03	REVISION			
04	REVISION			
05	REVISION			
06	REVISION			
07	REVISION			
08	REVISION			
09	REVISION			
10	REVISION			

**DETAIL, PRIMARY SUBSTATION SOLID PANEL GATE**

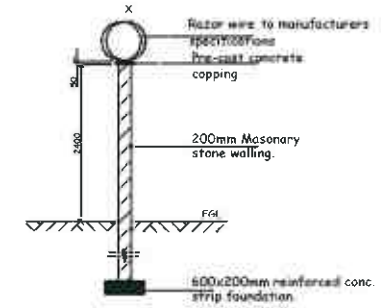
SHT 3

**K. P. & L Co. Ltd.**

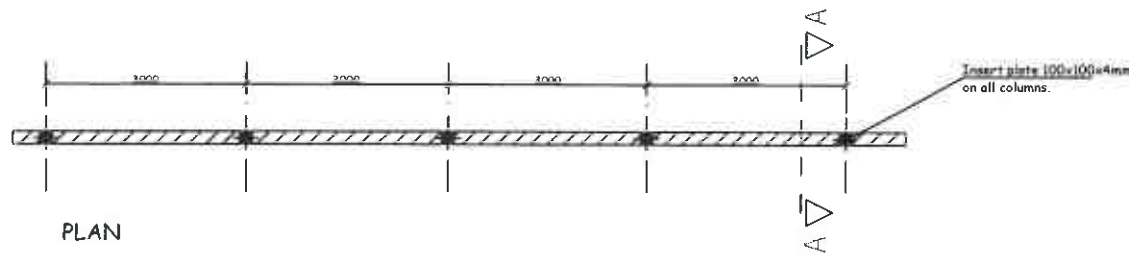
SK. NO. 07044/B



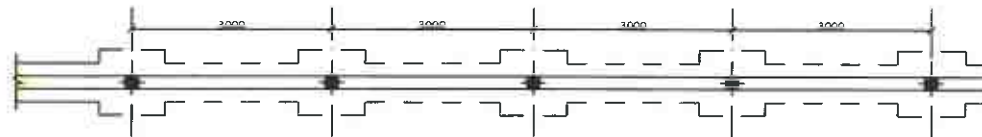
FRONT VIEW



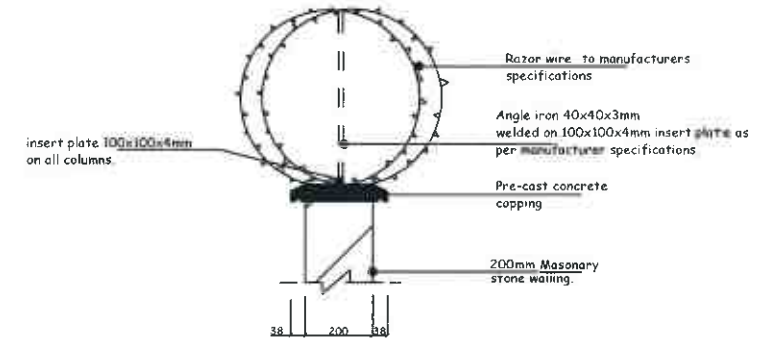
SECTION A - A



PLAN



FOUNDATION PLAN



DETAIL X

	NAME	DATE	DRN		REVISION	DATE	SIGN	CHECKED	DATE
APPROVED									
CHECKED									
DESIGNED BY	B. GATHI								
DESIGNED	J.M.K. Jais								
DRAWN									
TRACED									

**DETAILS OF SECURITY FENCE AT PRIMARY SUB - STATION**

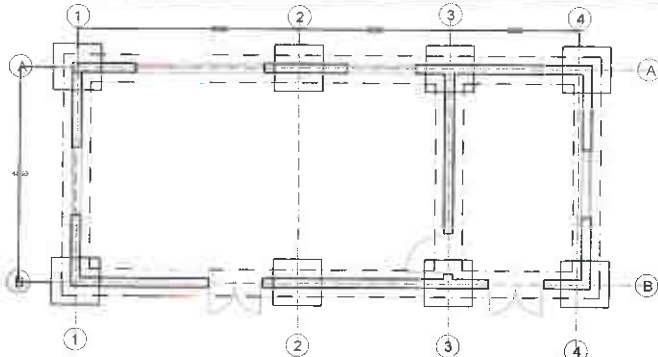
SCALE 1 : 50

SHEET 1A

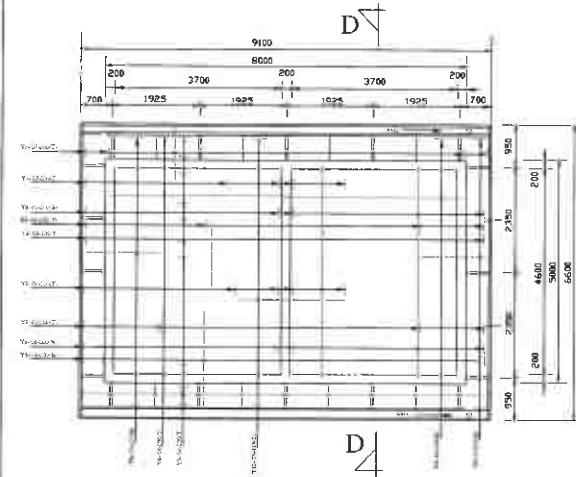


K.P.&L.Co.Ltd

SK. No. 07044/B

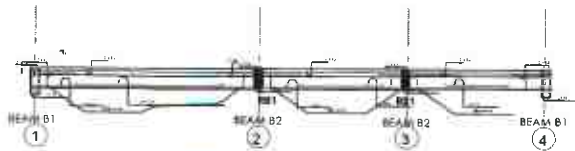


**FOUNDATION LAYOUT**



**ROOF SLAB PLAN**

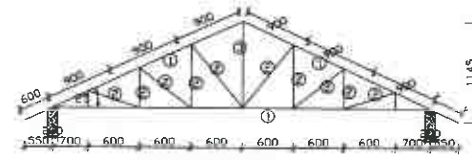
**FOUNDATION & COLUMN DETAILS**



**SEC TH HRU' GRID 1-1,2-2**



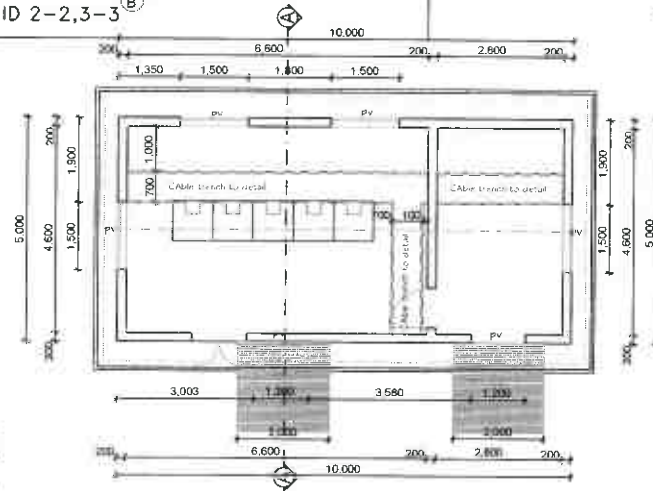
**SEC TH HRU' GRID 2-2,3-3**



**TRUSS TYPICAL (6No)**

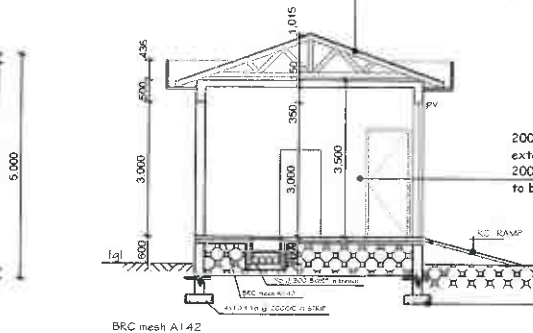
**ROOFING SPECIFICATIONS**

20' angle IT4 Pre-painted blue 266 roofing sheets on ZED purlins on 50 x 50x6mm steel trusses



**PROPOSED RCC DETAILS OF CONTROL BUILDING FOR 132.66 # 33KV METERING STN # 7.5MVA TX PRIMARY STN**

SCALE 1 : 50



**WALLING**

200mm thick masonry stone walling well dressed external, plastered and painted to approval on the internal. 200mm thick foundation stone walling and depth to be determined on site.

**CONCRETE WORKS**

- i) 150mm thick reinforced conc. slab with reinforced ring beam to eng's details.
- ii) 250 mm thick base on 50mm blinding layer
- iii) 600 x 200mm mass conc. strip foundation to eng's details.

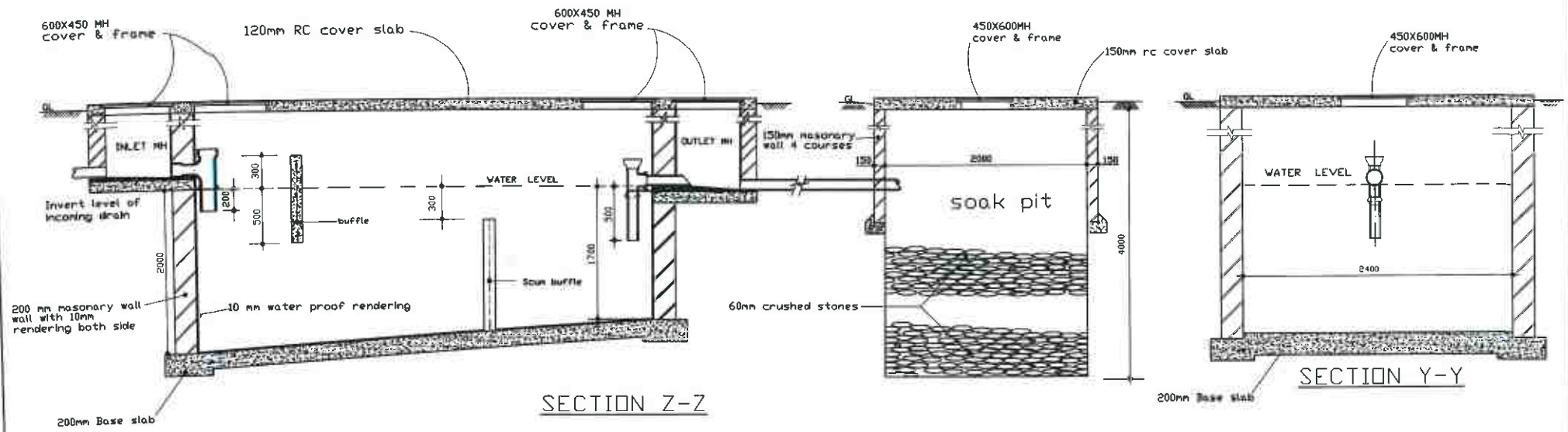
NAME	DATE	REVISION
APPROVED CHIEF ENG		
CHECKED SIVIL ENG	D. ANANDH	
CHECKED PRINCIPAL	S. ODARU	24/05/2015
DRAWN	J. KATIAKE	24/05/2015

SHEET 3/1

KEHYA POWER

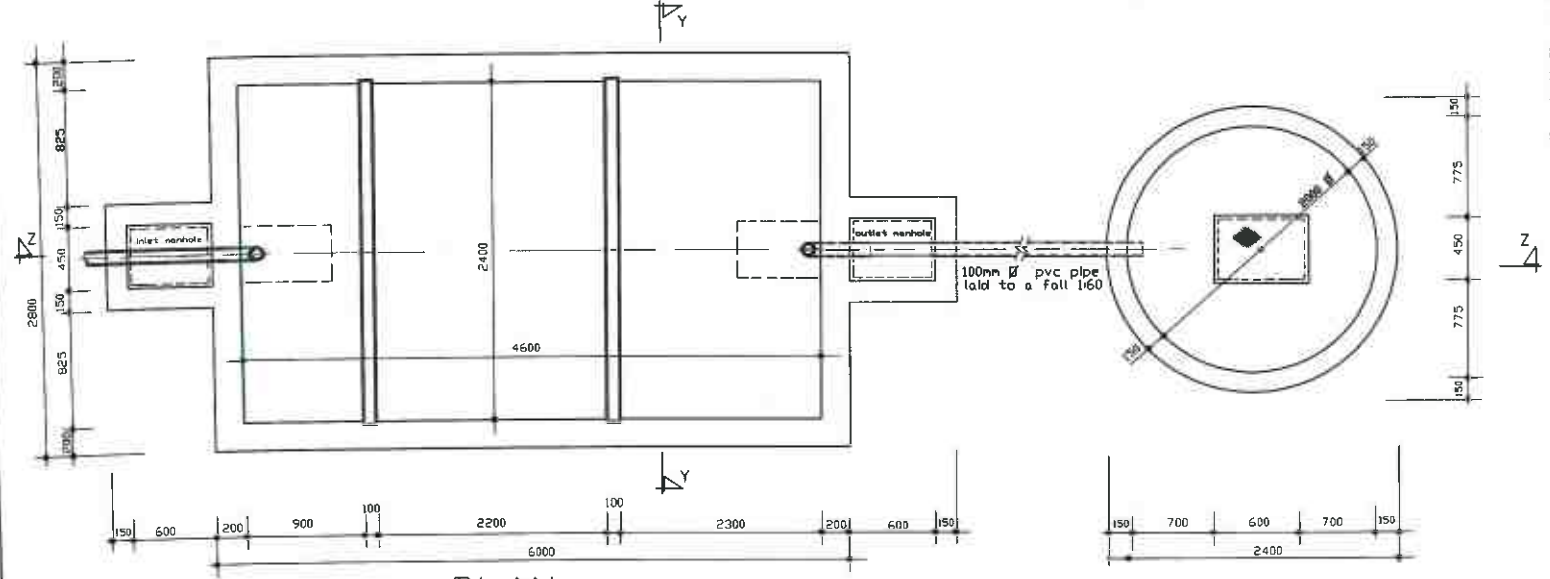
SK. No. 07734/A





SECTION Z-Z

SECTION Y-Y



PLAN

**NOTES**

- 1 Cover slab to be reinforced with Y10 bars both ways conc. class 20(20)
- 2 Base slab to be conc. class mix 1:3:6
- 3 Outlet & inlet pipes to be 100 mm Ø cast iron
- 4 Scum baffle to be 100mm thick reinforced with 2No.Y10 at both end conc. 20(20)
- 5 dividing wall to be to be 100mm thick reinforced with weld-mesh.

PROJECT <b>PROPOSED SEPTIC TANK AND SOAK PIT</b>			
CLIENT			
PLOT			
DESCRIPTION <b>PLAN AND CROSS SECTIONS</b>			
DRAWN J.M.Kaboo	DATE Sep. 2018	SCALE	SHEET 04